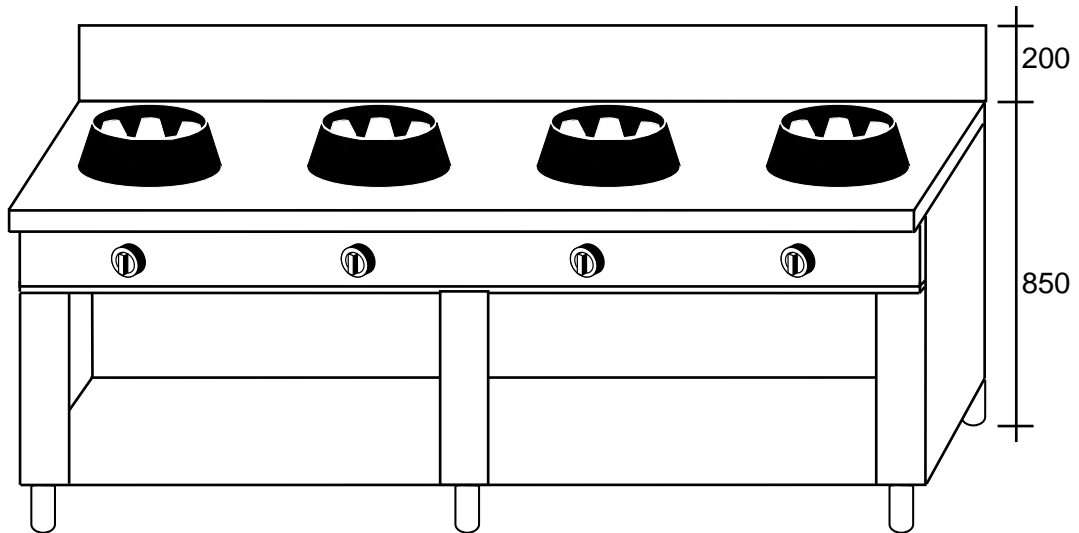
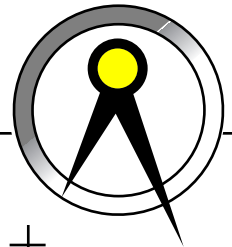
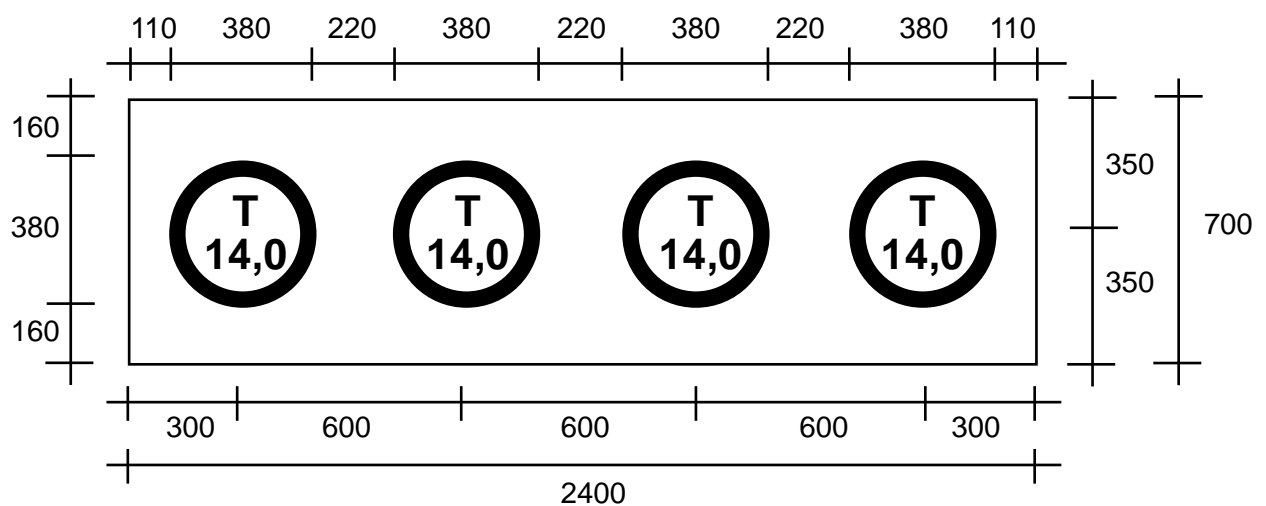


**CC/04.4T**



SCALA 1:20

CUCINA CINESE A 4 FUOCHI MM. 2400X700X850H, APERTA  
CHINESE STOVE WITH 4 BURNERS MM. 2400X700X850H, ON OPEN STAND  
CHINESISCHER HERD MIT 4 KOCHSTELLEN MM. 2400X700X850H, UNTERBAU OFFEN  
CUISINIÈRE CHINOISE AVEC 4 BRULEUR MM. 2400X700X850H, OUVERTE  
POTENZA / POWER / LEISTUNG KW 56,0

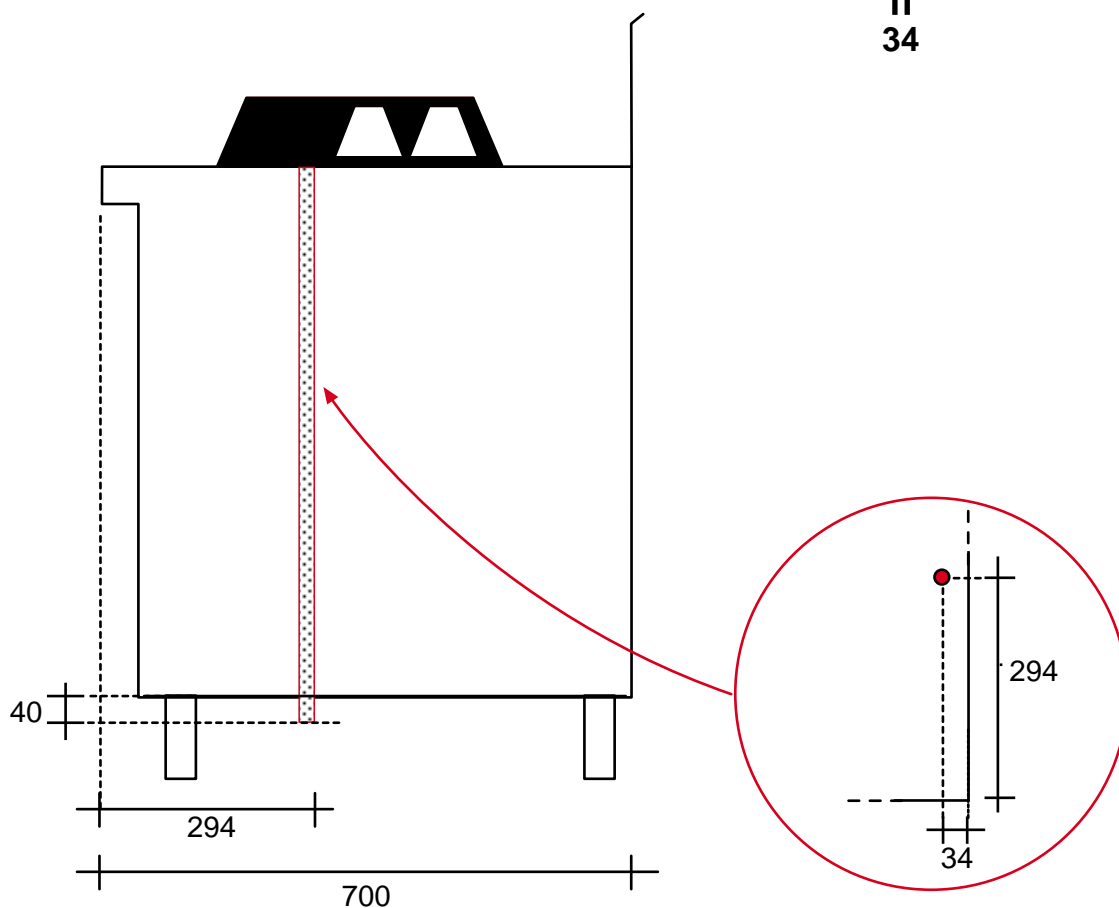
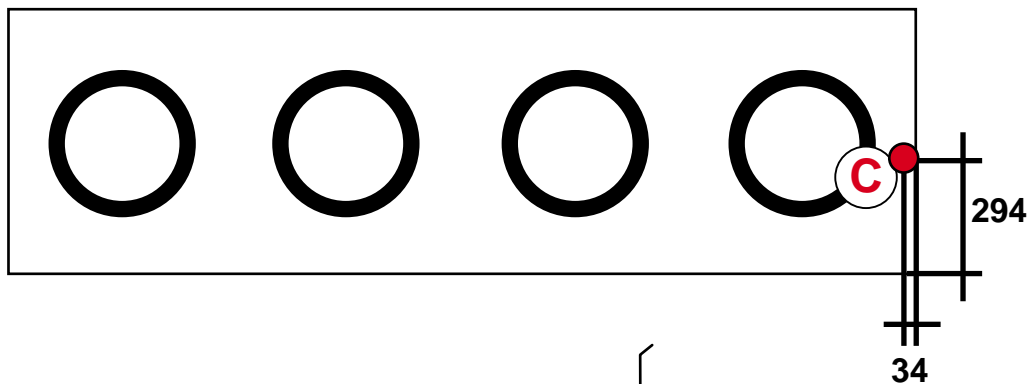
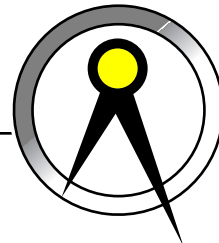


**CASTA S.R.L.**

Via F.lli Lumière, 11 - Z.I. Villa Selva - 47122 Forlì (FC) -IT-

Tel.+39 0543 782920 -Fax +39 0543 782925 - [www.Casta.COM](http://www.Casta.COM) - E-mail [casta@casta.com](mailto:casta@casta.com)

CC/04.4T



*ENTRATA GAS CUCINE CINESI SENZA FORNO : SEMPRE  
A DESTRA, TUBO Ø 1"*



**CHINESE STOVES WITHOUT GAS OVEN GAS ENTRANCE :  
ALWAYS ON THE RIGHT , PIPE Ø 1"**

*GASANSCHLUß FÜR CHINA HERD OHNE BACKOFEN:  
IMMER RECHTS, ROHR Ø 1"*

*ENTRÉE GAZ CUISINE CHINOISE SANS FOUR: TOUJOURS À DROITE, TUBE Ø1"  
TOMA DE GAS Ø 1 " SIEMPRE A LA DERECHA*

**CASTA S.R.L.**

**Via F.lli Lumière, 11 - Z.I. Villa Selva - 47122 Forlì (FC) -IT-**

**Tel.+39 0543 782920 -Fax +39 0543 782925 - [www.casta.com](http://www.casta.com) - E-mail [casta@casta.com](mailto:casta@casta.com)**